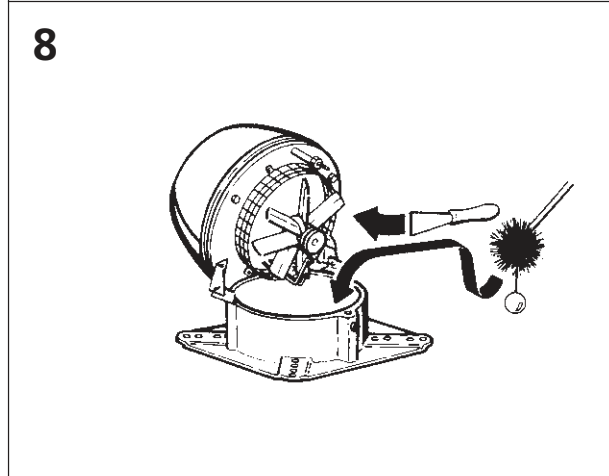
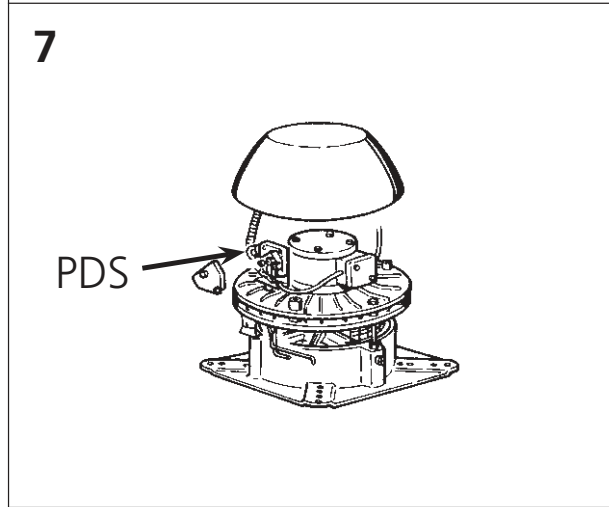
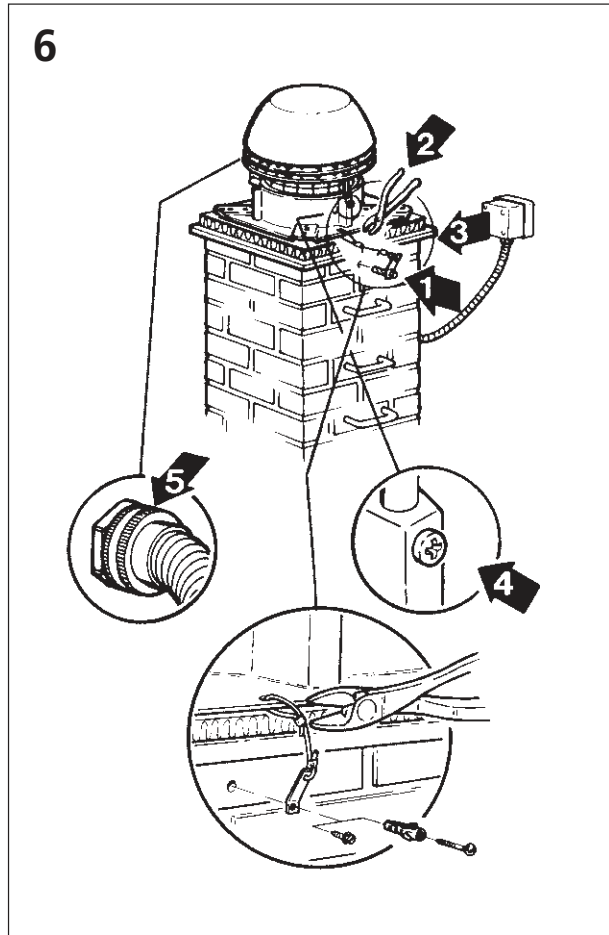
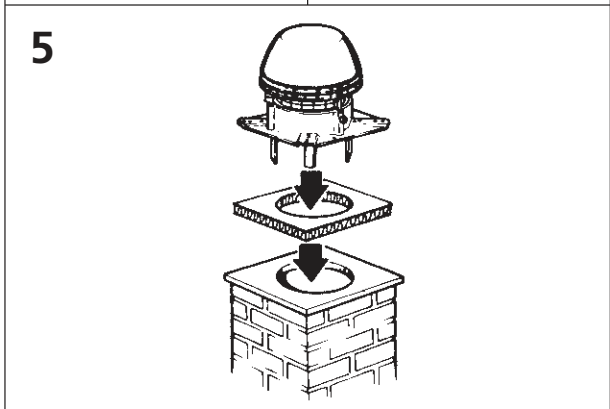
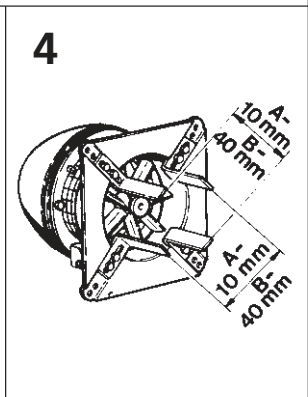
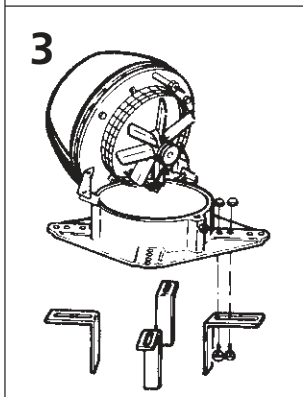
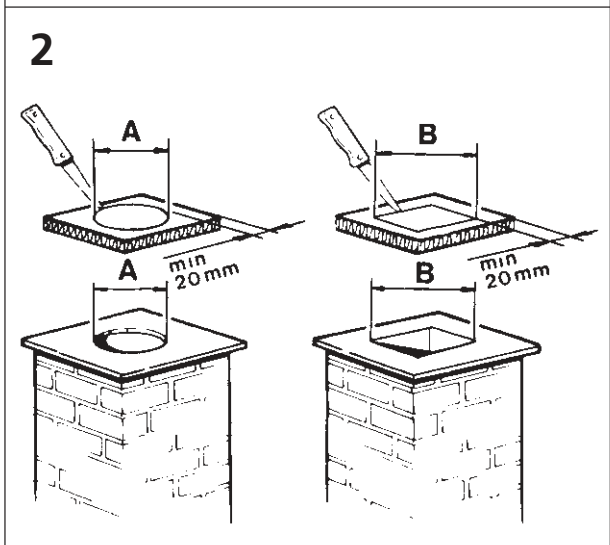
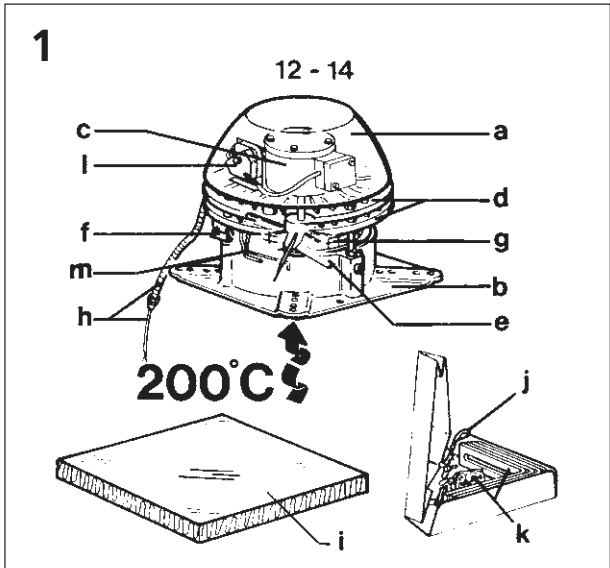


RSHG

GB



System description

The EXHAUSTO Chimney Fan type RSHG gives a fail-safe assisted flue system for open flued gas appliances and the RSHG gives a horizontal discharge of the flue gases.

Construction

Fig. 1:

It is made of cast aluminum, fitted with a stainless steel vane and non-moving airpressure sensors linked to a pressure differential switch (PDS), ensuring correct airflow when the fire is used.

The RSHG consists of the following main parts:

- a Motor housing
 - b Base plate
 - c Motor
 - d Cooling plates
 - e Vane
 - f Hinge
 - g Net
 - h Armoured motor cable
 - i Glass fibre mat
 - j Safety wire with bolt and Rawlplug
 - k Location brackets with bolts and nuts
 - l Pressure differential switch
 - m Non-moving airpressure sensors
-

Installation

The chimney fan is designed for installation on the top of the chimney stack after pots, cowls and similar have been removed.

An installation on the top of a twin-walled metal chimney shall only be made when using a location flange type FRSV with spigot (see front page). There are different models to suit any ID of the flue. Once the flange has been located in the flue, the installation should be the same as if installed on top of a chimney stack.

Fig. 2:

Measure the inside diameter of the flue. Make the hole of the glass fibre mat flush with the flue wall, but leave a min. distance of 20 mm to any side of the mat. It is important that the location brackets are located with a distance to the flue wall.

Fig. 3:

Locate the location brackets in the grooves on the underside of the base plate, fasten the location brackets by means of bolts and nuts supplied by EXHAUSTO. Please note that the bolts shall go through the location brackets up into the base plate.

Fig. 4:

Adjust the final position of the location brackets ensuring that there is a distance (2-4 mm) between the brackets and the wall as shown. Tighten the nuts.

Fig. 5:

The chimney fan is ready for location on the top of the chimney. Place the glass fibre mat on the top of the chimney stack, the aluminium foil facing upwards. Locate the chimney fan on top of the mat.

Fig. 6:

Decide the location of the bolt and the Rawlplug (1). Drill a hole in the stack, use the Rawlplug and screws provided (use the self-tapping screws for a metal chimney). Take the safety wire through the hole in the base plate and return it to the free clamp of the wire. Tighten the safety wire slightly and crimp the free clamp to provide secure anchoring for subsequent safe cleaning and service (2).

Fit the weatherproof repair switch or junction box (not supplied) on the external wall of the chimney stack (3). Connect the motor cable and the installation cable to the underside of the junction box. Run the cable in the conduit on the external wall to a suitable entry point. Make certain that the locking screw is firmly tightened (4) and that the union on the armoured cable is securely fastened to the motor housing (5).

A lightning conductor to be installed according to Building Regulations and local Byelaws.

Electrical connection

Please also see separate instruction for the safety control. The diagramme on the rear side of this instruction shows the connection of the 6-core cable in the terminal box on the motor.

The spillage test and adjustment of the pressure differential switch

Fig. 7:

This spillage test must be made to ensure that the airflow setting of the Pressure Differential Switch (PDS) has been correctly set for the installation. This test should be made with all doors and windows closed. If any extractor fans have been fitted, this test shall be made with these fans on. If spillage is detected, correct the fault.

If the sound pressure level is too high, adjust the pressure differential switch -30 Pa. Carry out a spillage test. If required, repeat the sequence, always check by a spillage test.

Maintenance

Fig. 8:

The motor has special bearings that are sealed, greased for life and maintenance free. Operating up to a max. flue gas temperature of 200°C , the life expectancy of the bearings is 10,000 working hours. Only EXHAUSTO approved service personnel should replace the bearings, if required.

It is recommended that the fan and its connections should be inspected once a year at the same time as the annual maintenance of the appliance. At this time, remove all soot deposits on the vane and sensors. On inspection, care should be taken that the flow measuring system is not damaged.

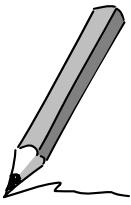
In opened position, the hinged chimney fan provides easy access for service and maintenance.

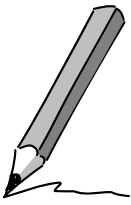
Guarantee

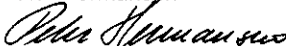
The EXHAUSTO RSHG is provided with two year warranty. The fan must be installed by competent personnel and must be used and serviced strictly in accordance with the instructions supplied.


Having commissioned the system, and having demonstrated to the end user how to operate it, leave the installation instructions with the user.

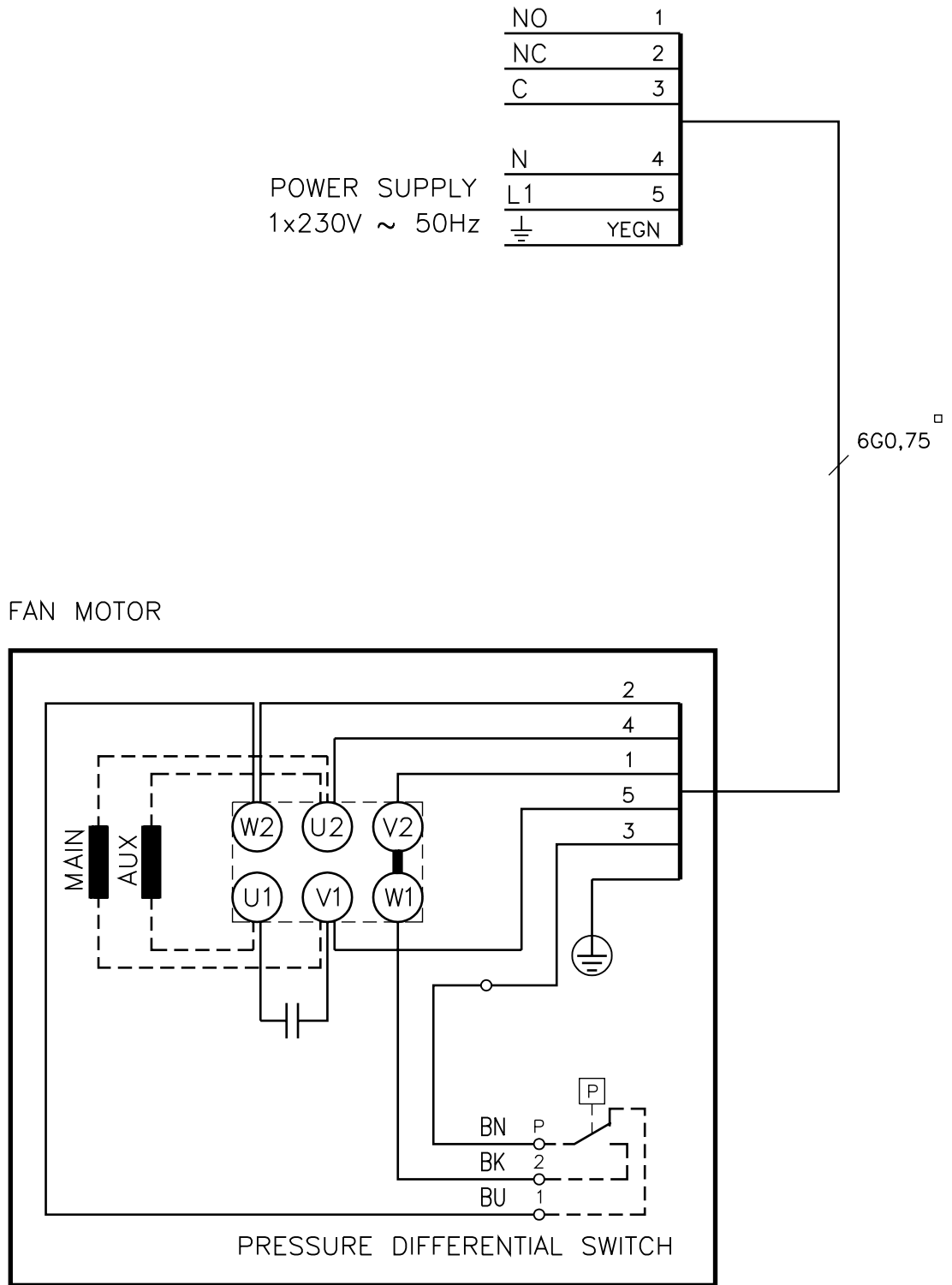
Changes in the specifications may take place without notice.





DK: EU-OVERENSSTEMMELSESERKLÆRING GB: DECLARATION OF CONFORMITY D: EU-KONFORMITÄT SERKLÄRUNG F: Déclaration de conformité de l'Union Européenne
EXHAUSTO A/S Odensevej 76 DK-5550 Langeskov DANMARK
<i>erklærer på eget ansvar, at følgende produkter: declare on own responsibility that the following products: Verantwortet, daß folgende Produkte: déclare sous sa propre responsabilité que le produit suivant:</i>
RSHG
<i>som er omfattet af denne erklæring, er i overensstemmelse med følgende standarder: covered by this declaration, are in conformity with the following standards: mit den folgenden Standardbezeichnungen: auquel s'applique cette déclaration est en conformité des normes mentionnées ci-dessous:</i>
EN60 335-1, EN60 335-2-80, DS/EN ISO 12100-1, DS/EN ISO
<i>i.h.t. bestemmelser i direktiv: according to conformaty in directive: gemäß folgenden EU-Richtlinien überstimmen: suivant les dispositions prévues aux directives:</i>
<i>Maskindirektivet: Machinery Directive: für Maschinen: La directive des machines:</i>
98/37/EF/-EEC/EWG/-CEE
<i>Lavspændingsdirektivet Low voltage Directive: für Niederspannung: La directive de la basse tension:</i>
73/23
<i>EMC-direktivet: EMC Directive: für EMC La directive de la compatibilité électromagnétique:</i>
89/336, 92/31
Langeskov, 04.04.2005 Adm. direktør Managing Director Geschäftsführer, Inhaber Président-directeur général Peter Hermansen 

N: EU-OVERENSSTEMMELSESERKLÆRING NL: EU-KONFORMITEITS VERKLARING S: EU-ÖVERENSSTÄMMELSEDEKLARATION SF: EU-VAATIMUSTENMUKAISUUSVAKUUTUS IS: ESS-Samræmisstaðfesting
EXHAUSTO A/S Odensevej 76 DK-5550 Langeskov DANMARK
<i>erklærer på eget ansvar, at følgende produkter: veklaard dat onderstaande produkten:deklarerar på eget ansvar, att följande produkter: vastaa siitä, että seuraava tuote: Staðfesti á eigin ábyrgð, að eftirfarandi vörur:</i>
RSHG
<i>som er omfattet av denne erklæring, er i overensstemmelse med følgende standarder: met de onderstaande standard koderingen: som omfattas av denna deklaration, överensstämmer med följande standarder: joka koostuu tästä selvityksestä, on seuraavien standardien mukainen: sem eru meðtalin i staðfestingu Pessari, eru i fullu samræmi við eftirtalda staðla:</i>
EN60 335-1, EN60 335-2-80, DS/EN ISO 12100-1, DS/EN ISO
<i>i.h.t. bestemmelser i direktiv: voldoen aan de heironder gestelde eisen: enligt bestämmelserna i följande direktiv: seuraavien direktiivin määräysten mukaan: með tilvisun til ákvarðana eftirlits:</i>
<i>Maskindirektivet: voor machines: Maskindirektivet: Konedirektiivi: Vælaeftirlitið:</i>
98/37/EF/-EEC/EWG/-CEE
<i>Lavspenningsdirektivet laagspanning: Lågspänningsdirektivet: Matalajännitedirektiivi: Smáspennueftirlitið:</i>
73/23
<i>EMC-direktivet: voor EMC: EMC-direktivet: EMC-direktiivi: EMC-efirlitið:</i>
89/336, 92/31
Langeskov, 04.04.2005 Adm. direktør Managing Director Geschäftsführer, Inhaber Président-directeur général Peter Hermansen 



GB Connection diagram

Tegn. nr.: 6101629